



Operating Instructions

**For All WW Electric Burnout Furnaces
With Computerized Programmable Controllers
W13, W14, W18**

And WTNFII-10, -19

**OPERATING INSTRUCTIONS
FOR ALL WW ELECTRIC BURNOUT FURNACES WITH COMPUTERIZED
PROGRAMMABLE CONTROLLERS (W13, W14, W18) AND WW
COMPUTERIZED PROGRAMMERS (WTFNII-10,-19)**

Computerized programming of burnout furnaces provides for simple push-button operation for controlling your furnace during the burnout process. All programmers contain 3 built-in burnout programs which may be used immediately by pressing a couple of keys, or you may create your own individualized custom program(s). Your programmable controller allows up to four (4) custom programs. Program 1 allows for up to twenty (20) segments or as we refer to "RAMPS". Programs 2, 3, and 4 allows for up to ten (10) segments. A segment or "RAMP" consists of three (3) areas: 1) RATE OF HEATING/COOLING, 2) TEMPERATURE SETTING (either °F or °C), and 3) HOLD TIME FOR THE TEMPERATURE. You may also enter a DELAY to set the time you want the furnace to start the burnout program. All furnaces and controllers are warranted for one year against defects in workmanship or material.

WW ELECTRIC BURNOUT FURNACES

All of our WW Electric Burnout Furnaces feature industrial quality construction and sizes to fit every shop. They offer the simplest, most efficient and reliable means of burnout for the lost wax caster. All of these furnaces are enclosed in trouble-free stainless steel cabinets. Heating elements are secured in grooves inside the chamber; they are easily replaced when necessary.

SPECIFICATIONS:

NO. W13
ELECTRICAL 240VAC -13A-3000 WATTS
OUTSIDE DIMENSION 18"W X 21½"H X 21½"D
HEATING CHAMBER 13" X 13" X 9"
SHIPPING WEIGHT 135LB.

NO. W14
ELECTRICAL 240VAC -16.7A-4000 WATTS
OUTSIDE DIMENSION 19"W X 26½"H X 22"D
HEATING CHAMBER 14" X 14" X 14"
SHIPPING WEIGHT 165LB.

NO. W18
ELECTRICAL 240VAC -24A-5760 WATTS
OUTSIDE DIMENSION 24"W X 31"H X 27"D
HEATING CHAMBER 18" X 18" X 18"
SHIPPING WEIGHT 299LB.

**WW COMPUTERIZED PROGRAMMERS
SPECIFICATIONS:**

NO. WTFNII-10-COMPUTERIZED PROGRAMMER -240V -20A
NO. WTFNII-19-COMPUTERIZED PROGRAMMER -120V -20A





FURNACE GRATES & TRAYS For Wax Elimination Cycle

The WW Furnace Grate and Tray simplifies burnout procedure. It is no longer necessary to remove flasks and tray, then replace flasks to avoid carbon build-up on heating elements, which is a primary cause of element failure. Now you merely slide the stainless steel tray(s) from beneath the grate at the end of the wax elimination cycle and proceed with burnout. You have removed 90% or more of the cause of offensive odor and air pollution. The grate is cast iron, like a cook-stove burner, for strong support and long life.

Grates and trays are sized to fit standard electric burnout furnaces.

NO. WWT13 GRATE & TRAY FIT NOS. W13 & W14 FURNACES (12½" X 12½" X 1¼"H)

NO. WWT18 GRATE & TRAY FITS NO. W18 FURNACE (17" X 17" X 1½")

NO. WWT13 CAN BE USED IN ANY FURNACE WITH A CHAMBER MEASUREMENT OF 12½" X 12½" UP TO 14" X 14".

INSTALLATIONPROCEDURES FOR WW ELECTRIC BURNOUT FURNACES

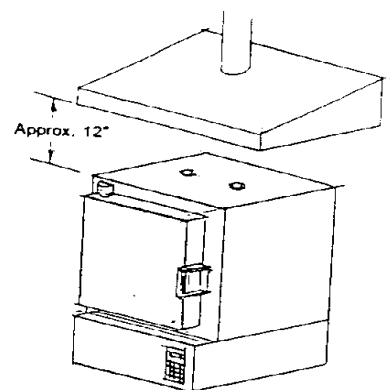
- 1) W13 and W14 Furnaces require 240V –20 Amp dedicated power supply and a NEMA NO: 6–20 receptacle or you can wire in direct with a breakerbox nearby (USE A LICENSED ELECTRICIAN). W18 furnaces require 240V– 30 Amp dedicated power supply and a NEMA NO: 10–30receptacle.
- 2) Set the furnace on a sturdy bench or table with a fire–prooftop. Sides and back must be at least 12" from wall or side equipment.
- 3) The minimum voltage required to operate your furnace is 200V. The maximum is 250V.
- 4) Vent or Vents (depending on furnace model) and plug(s) are supplied for the top of the furnace. Keep vents open at all times until all fumes or vapors are eliminated. STEAM WAX ELIMINATION IS HIGHLY RECOMMENDED.
- 5) Read and rememberthe SAFETY RULES enclosed at all times.
- 6) Insert line cord plug into wall socket (or turn on breaker if direct wired).
 - a. The Controller will display all segments and the alarm sounds.
 - b. After a moment [IdLE] and the current temperature will alternately appear and the alarm will stop.
 (Remember –All programming, including permanent programs, begins from [IdLE]).
- 7) Now refer to Permanent Program No. 1 (page 10). This is the wax burnout program which is 1 – 1½ hours in length and a good system check for your controller.

Your furnace is ready for use and you have two more permanent programs available. Programs No. 2 and No. 3. One of these should be suitable for your use. If not, you may refer to "PROGRAMMING INSTRUCTIONS" and set up your own custom program (see pages 14 –16).

Vents are built into the top of your furnace. These vents must be kept open at all times. Their purpose is to allow the fumes –created during burnout –to escape. Although not necessary, a vent hood above the furnace is a desirable asset for helping get rid of these fumes. The vent hood should be a DRAFT–TYPE vent hood, do not use a suction fan style hood, otherwise excessive power is wasted during burnout. Place top of furnace approximately 12" below vent. See illustration.

INDEX

	Page No.
INSTALLATION INSTRUCTIONS	3–4
MISCELLANEOUS INFORMATION	5
PROGRAMMER DISPLAY & OPTIONS	6–8
SAFETY RULES, SPECIAL INSTRUCTIONS	9
PERMANENT PROGRAM NO. 1, 2,& 3	10–13
CUSTOM PROGRAM INFORMATION	14–15
PROGRAMMING STEP–BY–STEP	16
ADDITIONAL OPTIONS	17–18



A Vent Hood is recommended for burnout furnaces.

INSTALLATION FOR WW COMPUTERIZED PROGRAMMERS WTNFII-10 & WTNFII-19

- 1) Be sure that your programmer is the same voltage as your burnout furnace:
WTNFII-10 -240V
WTNFII-19 -120V

Note -Do not plug in furnace or programmer at this time.

- 2) Mount programmer next to furnace. Holes are provided in the rear of the cabinet for hanging your programmer on the wall with screws. A wall outlet of the proper voltage and amperage with a dedicated line should be within 5 ft. (Do not use an extension cord). NOTE: THE WTNFII-19 COMPUTERIZED PROGRAMMER COMES WITH A NEMA 5-20R PLUG ON THE POWER CORD. IF YOUR FURNACE IS RATED AT MORE THAN 20 AMPS, YOU CANNOT USE THIS PROGRAMMER. IF YOUR FURNACE DRAWS LESS THAN 20 AMPS, YOU MAY INSTALL A STANDARD PLUG AT THE AMPERAGE OF YOUR FURNACE. A LICENSED ELECTRICIAN SHOULD BE USED FOR ALL ELECTRICAL WORK.

- 3) Insert the thermocouple into the hole at the back of the furnace. If no hole has been provided, one must be drilled. CAUTION: DO NOT DRILL INTO HEATING ELEMENT. BE SURE THAT NO METAL IS IN CONTACT WITH THERMOCOUPLE METAL PARTS.

- 4) Insert furnace line cord into socket on side of programmer. (NOTE: 120V and 240V PLUGS COME IN MANY STYLES - IF YOUR PLUG DOES NOT MATCH THE SOCKET, IT MUST BE REPLACED WITH ONE THAT DOES FIT) Your Computerized Programmer is rated for a maximum of 20 Amps.

- 5) Insert programmer line cord into wall outlet. Again, if plug does not match outlet, outlet must be replaced or unit can be wired direct. If wired direct, it must be done by a licensed and qualified electrician. NOTE: WHEN POWER IS FIRST APPLIED, THE PROGRAMMER ALARM WILL GO OFF FOR APPROXIMATELY TWO SECONDS..

- 6) The display will alternately read [IdLE] and the current temperature in the furnace.

- 7) If the display does not read [IdLE], press "STOP" then press "ENTER".

- 8) Turn the furnace control to HIGH and your installation is complete. Now you can start using the programmer.

- 9) To activate a program, refer to the operating instructions of our burnout furnaces.

NOTE: EVEN THOUGH THE PROGRAMMER IS OFF AT THIS TIME, THE UNIT WILL DISPLAY THE AMBIENT TEMPERATURE INSIDE THE FURNACE.

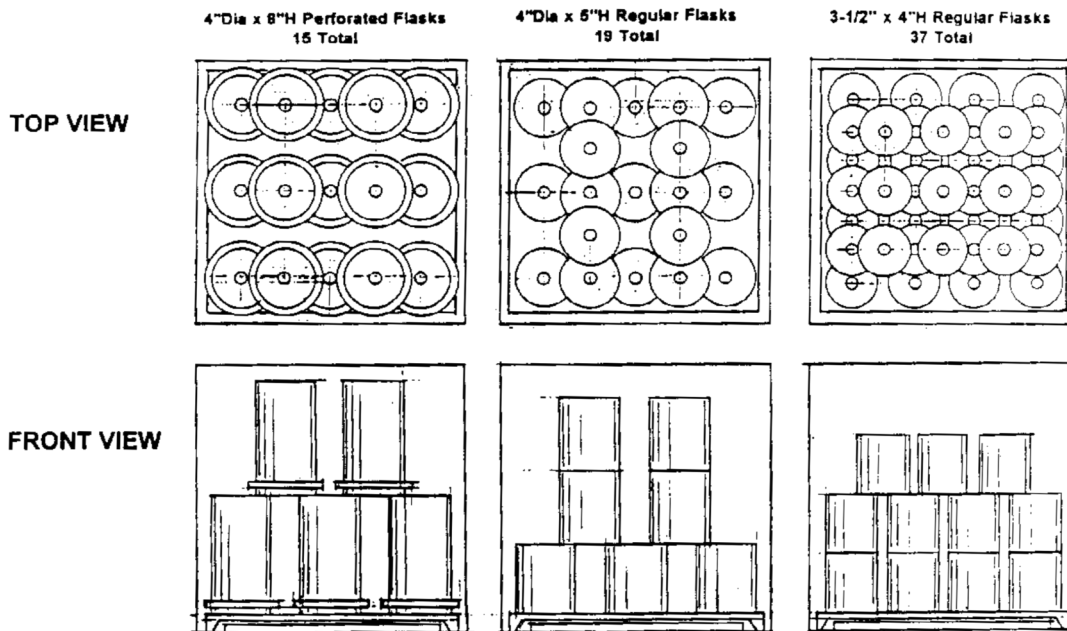
PLACING FLASKS IN YOUR WW ELECTRIC BURNOUT FURNACE

IMPORTANT NOTE: YOU MUST USE EITHER STEAM WAX ELIMINATION OR THE WAX ELIMINATION PROGRAM OF THE FURNACE. REMOVE THE WAX TRAY AFTER THE WAX ELIMINATION CYCLE HAS COMPLETED. FAILURE TO REMOVE THE WAX TRAY WILL CAUSE CARBON BUILD-UP ON THE EXPOSED ELEMENTS RESULTING IN PREMATURE ELEMENT FAILURE. THE ELEMENTS ARE NOT WARRANTED.

When starting to load your furnace for wax elimination, be sure to use a tray to catch the melted wax. We highly recommend our WWT13 or WWT18 Furnace Grate & Tray for this purpose. Place flasks sprue hole down. Do not allow flasks to touch the sides, back or door of the furnace, nor to touch each other's sides. Above all, do not allow a flask to touch the thermocouple sensor located in upper center of back wall.

When stacking flasks, be sure that the sprue hole is exposed at all times, so that no wax residue can be trapped. See illustration below. Flasks may touch edges (not sides) of each other as shown as long as the sprue holes are exposed.

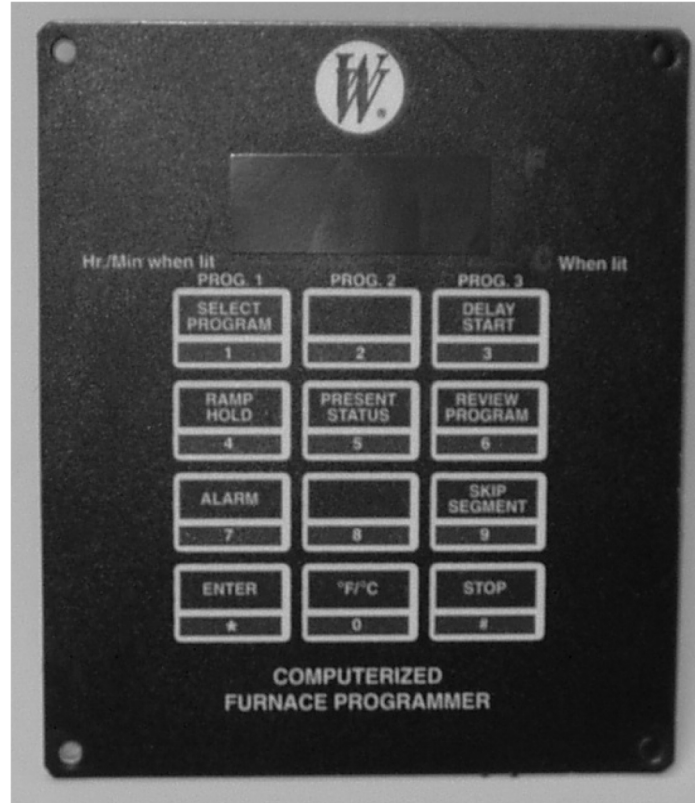
After the wax elimination cycle is complete, the flasks must be removed so that the wax tray can be removed, then the flasks can be returned to the furnace, sprue hole up and again, fully exposed and the firing procedure begun. **NOTE: IF THE WWT13 OR WWT18 GRATE & TRAY IS USED, IT IS NOT NECESSARY TO TURN SPRUE HOLE UP AFTER WAX ELIMINATION.**



NOTE: THESE EXAMPLES SHOW CAPACITIES FOR OUR W18 FURNACE. THE SAME PRINCIPLES APPLY FOR ANY BURNOUT FURNACE.

Stacking suggestions in 18x18x18 furnace for maximum capacity using different size flasks.
NOTE THAT SPRUE HOLE MUST BE EXPOSED BOTH DURING WAX ELIMINATION (SPRUE HOLE IS DOWN) OR WHEN FIRING (SPRUE HOLE IS UP).

PROGRAMMER DISPLAY



The WW Computerized Programmer Display prompts the operator with various readings. The display may appear peculiar due to the construction of each character in the standard LED display. Reading that appear on the display and their descriptions are as follows.

DISPLAY DESCRIPTION

DISPLAY	DESCRIPTION
AbRT	Abort The firing was stopped.
ALAR	Alarm ALAR appears either when you are entering an alarm temperature or when the alarm is sounding during a firing. To stop an alarm, press any key except STOP. If the alarm goes off when you first begin firing, it is because it was set for a lower temperature; than the present temperature.
bAdP	Bad Program This message appears when a Ramp-Hold firing has been programmed with 0 rate in the first segment.
CFG	Configuration This is an option that shows the factory configuration code for your Sentry. This is for technicians who call the factory for support.
CHG-	Change °F/°C Choose between operation in degrees F of degrees C.

CPLT	Complete	This means the firing completed as programmed.
DELA	Delay	DELA is a timer that starts the kiln later. Delay time appears in hours and minutes.
°F 1	Temperature	This prompt which appears in Ramp-Hold programming, is asking for a target temperature. The number is to remind you which segment will use this target temperature.
ELEC	Electronics	The Sentry circuit board is rated for operation at temperatures up to 158°F/70°C. When the circuit gets hotter, the Sentry shuts off. The ELEC option tells you how hot the circuit board is.
ETH	Electronics Too Hot	The Sentry circuit board is too hot, so the kiln was shut off.
FAIL	Failed	The thermocouple failed. This can be due to a broken thermocouple, loose thermocouple connection on the back of the Sentry, disconnected thermocouple wire, or a defective controller.
FTH	Failed to Heat	The kiln cannot heat as fast as you programmed or is not heating at all.
FTL	Firing Too Long	The temperature rise is less than 27°F/15°C per hour and the firing time is four hours longer than the current segment was programmed.
FULL	Full Speed	The rate, or temperature change per hour, is maximum.
Hd 1	Temperature Hold	When this message appears during Ramp-Hold programming, it is asking you if you want to hold, or maintain, the target temperature of that segment. If so, enter the length of hold time in hours and minutes (i.e. 1 hour 20 minutes = 01.20). The number after Hd is the segment number. Each segment in a Ramp-Hold firing is numbered starting with 1.
HOLD	Temperature Hold	When this message appears during programming, it is asking if you want to hold, or maintain, the target temperature. If so, enter the length of hold time in hours and minutes (i.e. 1 hour 20 minutes = 01.20). When HOLD appears in the program review, it is showing how much hold time has been entered.
HtdE	High Temperature Deviation	The temperature is above the temperature deviation setting in the TEDE option.
ID	Computer ID	The ID option is for connection the Sentry to a personal computer.
IdLE	Ready to Begin	The Sentry must display the idle message before you can begin firing or programming.
LOCK	Program Lock	With this option activated, a stored program cannot be altered or removed from memory.
LTdE	Low Temperature Deviation	This message appears when the kiln is below the temperature deviation setting in the TEDE option.

PF 2	Power Failure	The power failed. When power came back on, the temperature was below 212°F/100°C. Press [Abort], then [Enter] to clear the display and return to "Idle".
PF 3	Power Failure	The power failed near the end of a firing.
PF	Power Failure	There was a power failure during firing. The kiln continued firing after power came back on.
PLOG	Diagnostic Test Failure	
RA 1	Rate	RA 1, RA 2, RA 3, etc., appears in Ramp-Hold programming, Program Review, and Present Status. When RA 1, 2, 3, etc. appear during programming, the controller is asking you for firing rate for each segment. Rate means how fast the firing progresses in degrees of temperature per hour. Every segment must have a firing rate. The number after RA is the segment number. Each segment in a Ramp-Hold firing is numbered starting with 1. Program Review shows firing rate after RA 1, 2, 3, etc. In Present Status, RA 1, 2, 3, etc. means the segment that the firing is in at that moment.
RST	Reset	The RST option erases thermocouple offsets, selects °F operation, erases stored programs in Ramp-Hold, and selects Type-S thermocouple. Note that if you use Reset, and your kiln is equipped with a Type K thermocouple, you must use the TC option to select Type K. (Reset selects Type S as a safety precaution. If you had a Type S thermocouple and Reset selected Type K, your kiln would overfire. On the other hand, if you have a Type K thermocouple, Type S selected would underfire your kiln. The Type K thermocouple is standard on most kilns.)
SFTY	Safety	This is the maximum temperature the Sentry is programmed for your kiln. It can be altered only at the factory.
SKIP	Skip Segment	If you press the Skip Segment key during a firing, SKIP will appear. If you press the key again, the firing will skip to the next segment.
SOFT	Software Version	This option gives the version of software loaded into your Sentry.
STRT	Firing Started.	This appears when firing begins. Do not be concerned if it takes a moment for the relays to turn on. The Sentry is processing data.
TC	Thermocouple Type	Choose between Types K, S or R thermocouple. It is important to select the correct type or the controller will not read temperature accurately.
TCOS	Thermocouple Offset	Calibrate the controller's temperature. This compensates for temperature drift, or aging, of a thermocouple.
TC2--	Thermocouple	Thermocouple missing or wire disconnected.
TEDE	Temperature Deviation	The Sentry includes error messages to warn you that the kiln is not maintaining the programmed temperature. The sensitivity of the error messages is based on a temperature entered in the TEDE option.
USER	User Program	In Ramp-Hold programming, the USER prompt is asking you where you want to place the program in memory. The Sentry has four spaces in memory: 1, 2, 3, 4. Keep a record, on paper, of the programs in memory.

SAFETY RULES

The warranty on your WW Electric Burnout Furnace and the WW Computerized Programmer does not cover damage from overfiring, regardless of the circumstances. It is the operator's responsibility to make sure that the furnace turns off at the end of the firing. Follow the safety rules below in addition to the safety rules for your furnace.

- UNPLUG THE FURNACE WHEN NOT IN USE.
- DO NOT LEAVE THE FURNACE UNATTENDED NEAR END OF FIRING.
- WEAR FIRING SAFETY GLASSES WHEN LOOKING INTO PEEPHOLE OF A HOT FURNACE.
- DO NOT TOUCH HOT SIDES OF FURNACE.
- INSTALL YOUR FURNACE AT LEAST 12 INCHES FROM ANY WALL, EQUIPMENT OR COMBUSTIBLE SURFACE.
- DO NOT OPEN FURNACE DOOR UNTIL FURNACE HAS COOLED AND ALL SWITCHES ARE OFF.
- FIRE ONLY IN A WELL-VENTILATED, COVERED AND PROTECTED AREA AWAY FROM FLAMMABLE MATERIALS. KEEP CORDSET AWAY FROM HOT SIDES OF FURNACE.
- " DANGEROUS VOLTAGE " ! -DO NOT TOUCH HEATING ELEMENTS WITH ANYTHING. DISCONNECT FURNACE BEFORE SERVICING.
- NOT FOR HOUSEHOLD USE.
- KEEP UNSUPERVISED CHILDREN AWAY.

TIME AND TEMPERATURE DISPLAY

During time display, a center display period appears. During temperature display, the period disappears. The center display period separates hours from minutes (EXAMPLE -1 hour and 30 minutes displays 01.30). NOTE THIS PECULIARITY: You can enter up to 99 hours and 99 minutes, displayed as 99.99. In this example, .99 would seem to be tenths and hundredths of hours, yet .99 is 99 minutes.

HOW TO SELECT °F OR °C

If the controller is in °C mode, a lighted dot appears in the lower right side of the display. No dot will appear if the unit is in the °F mode. To change from °F to °C, turn controller on, press ENTER (*) until the display shows [IdLE]. Then press (°F/°C) "0" button repeatedly until [CHGO] appears on the display. Press ENTER (*) and [°F] appears in the display. Press the #1 button to change to [°C]. Press Enter to save the change. To change from °C to °F, repeat the above procedure.

PERMANENT PROGRAM NO. 1 [-EL -]
(USED FOR WAX ELIMINATION ONLY)

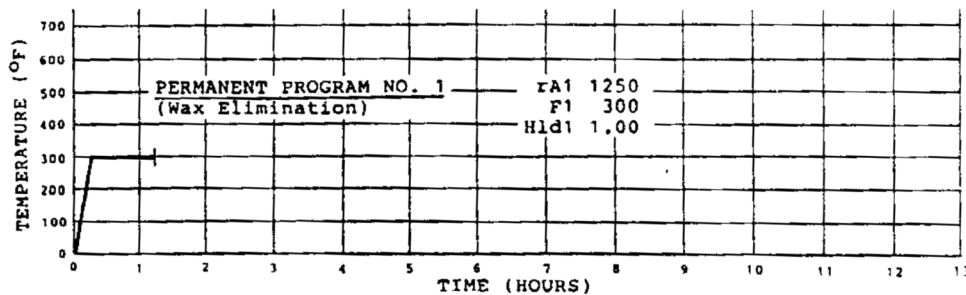
The wax elimination program will heat at the rate of 1250°F (750°C) per hour for 15 minutes or until the temperature reaches 300°F (150°C). NOTE: AS MUCH AS 15°F (10°C) OVER-RUN MAY OCCUR. Then the program will hold 300°F (150°C) for one hour and turn itself off. You may stop the program at any time by pressing the “STOP” (#) key.

A tray for trapping the wax must be used to protect the floor or hearth plate of the furnace. The tray must be removed before the wax begins to burn or smoke. Once the wax is eliminated, the furnace can be turned off; otherwise it will run for approximately 1¼ hours and then shut off automatically.

During wax elimination, the sprue hole must be down. When the regular burnout cycle is resumed, the flasks should be placed in the furnace with the sprue hole up.

ENTER PROGRAM NO. 1 [-EL -] AS FOLLOWS:

ACTION	DISPLAY
1) Apply power	[IdLE] alternating with current furnace temperature
2) Press “1”	[PROG] alternating with [EL]
3) Press “ENTER”	[IdLE] alternating with current furnace temperature. Program saved.
4) Press “ENTER”	[STRT] The furnace starts firing cycle.



WAX ELIMINATION

Most injection waxes will become liquid at 200°F (93°C) or less. However, some pattern waxes and plastics melt as high as 350°F (176°C) and plastics burn-out up to 500°F (260°C) and produce odor and fumes. Obviously the plastic patterns must be handled differently than injection wax. High heat and good ventilation. Regular injection waxes can be removed by using PROGRAM NO. 1 WAX ELIMINATION PROGRAM or by using a Steam Wax Eliminator. Wax and plastic burning produces carbon. Carbon build-upon the elements could cause a short that would cause the elements to fail. To prevent this from happening leave the ventilation holes open and occasionally run the Furnace up to it's maximum temperature of 1700°F (925°C). The carbon will burn off the elements. We recommend our WWT13 & WWT18 Grate & Trays as an excellent way to extend the life of the elements.

PERMANENT PROGRAM NO. 2 [5Hr]

This program operates the furnace for 1 hour at 300°F (150°C) and then advances slowly to 1350°F (730°C) over a period of approximately 2 hours, then holds that temperature for 1 hour. The programmer then lowers the temperature to 900°F (480°C) in a period of 1 hour and holds that temperature for 3 hours. NOTE: AT THE END OF THE 5 HOUR PROGRAM, WE HAVE BUILT IN 3 EXTRA HOURS OF HOLD TIME IN CASE THE OPERATOR IS NOT READY TO CAST IMMEDIATELY.

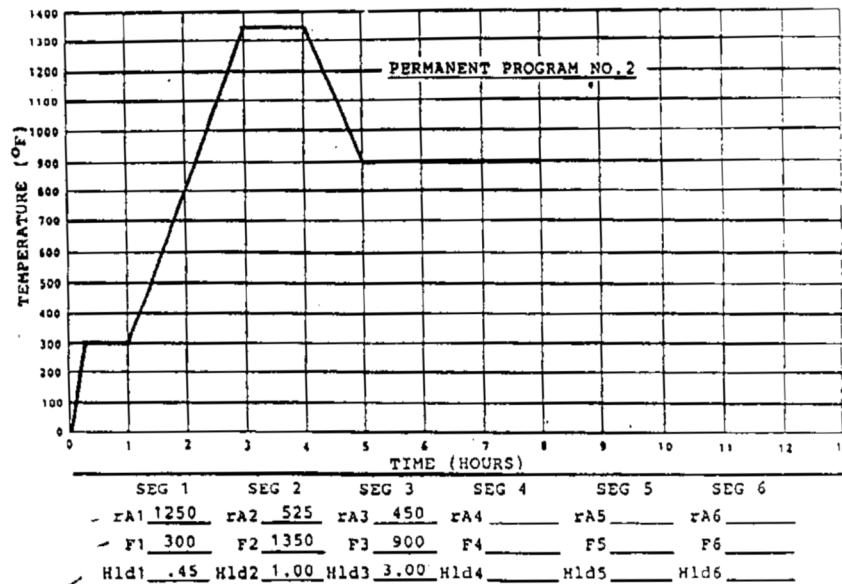
Once casting is completed, press “STOP” (#). Otherwise, the furnace will continue to operate at 900°F until 8 hours has passed and then shut off automatically. The display will show [CPLt].

FLASK TEMPERATURE FOR CASTING

We have used 900°F (480°C) as casting temperature for the flask. This temperature is suitable for most castings, however many casters prefer other temperatures. This setting is governed by experience. You may use any casting temperature you wish by entering your own custom program.

ENTER PROGRAM NO. 2 [5 Hr] AS FOLLOWS:

ACTION	DISPLAY
1) Apply Power	[IdLE] alternating with current furnace temperature
2) Press “1”	[PROG] alternating with [EL]
3) Press “2”	[5 HR]
4) Press “ENTER”	[IdLE] alternating with current furnace temperature. Program saved.
5) Press “ENTER”	[STRT] The furnace starts firing cycle.



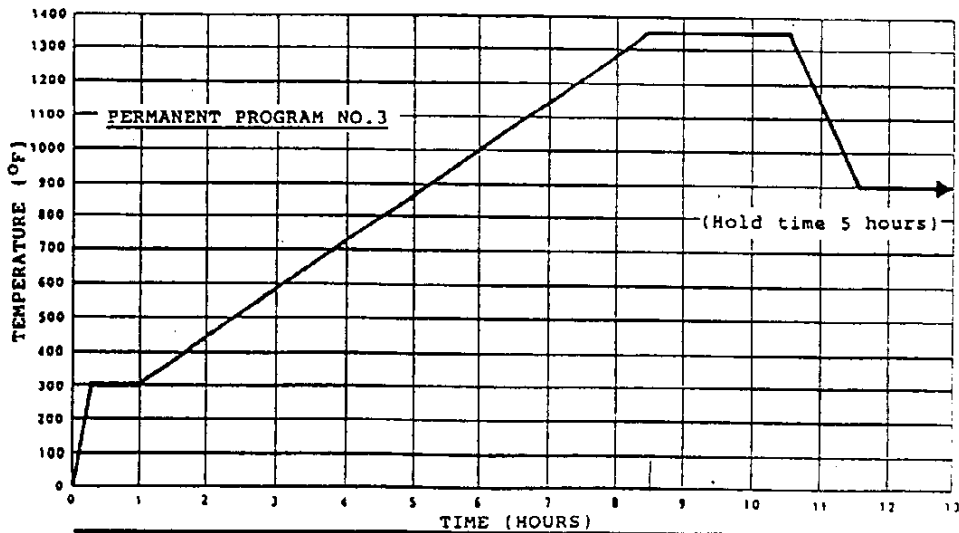
PERMANENT PROGRAM NO. 3 [12 Hr]

Before you use this program, you must first eliminate the wax with either steam or utilize PROGRAM NO. 1. After the wax has been removed you may load the furnace SPRUE HOLE UP or use our WWT13 or WWT18 Grate & Tray and the sprue holes can remain down. REMOVE WAX TRAY AT END OF FIRST HOUR.

To start this program, see instructions below. The program begins with a slowly rising temperature from ambient to 1350 °F (730 °C) which requires approximately 8½ hours. The program then holds that temperature for 2 hours, and then reduces to a casting temperature of 900 °F (480 °C) and holds for 5 hours. Total time is 15 to 16 hours depending upon your load in the furnace.

ENTER PROGRAM NO. 3 [12Hr] AS FOLLOWS:

ACTION	DISPLAY
1) Apply Power	[IdLE] alternating with current furnace temperature
2) Press "1"	[PROG] alternating with [EL]
3) Press "3"	[12 HR]
4) Press "ENTER"	[IdLE] alternating with current furnace temperature. Program saved.
5) Press "ENTER"	[STRT] The furnace starts firing cycle.



SEG 1	SEG 2	SEG 3	SEG 4	SEG 5	SEG 6
rA1 1250	rA2 145	rA3 450	rA4 _____	rA5 _____	rA6 _____
F1 300	F2 1350	F3 900	F4 _____	F5 _____	F6 _____
H1d1 .45	H1d2 2.00	H1d3 5.00	H1d4 _____	H1d5 _____	H1d6 _____

We feel that our 12 hour program (No. 3), which is permanently programmed into your controller, is the best and most useful program for the average casting operation. You can load your furnace at 3 -4 or 5:00 P.M. in the evening and arrive at 7 -8 or 9:00 A.M. and cast. Many casters prefer to load and cast in a 8 hour workday. We also have a 5 hour program (No. 2) that has worked well for many years with flasks no larger than 4" to 5". Also, you have the option of creating your own custom programs into the programmer (up to 6 different programs). This is discussed on pages 11, 12 and 13.

Again, during the first hour of all programs the operator should be in attendance to remove the melted wax from the wax tray which you should have on the floor of your furnace. This will do two things. First, it will eliminate the odors and fumes created from the wax elimination, and second, extend the life of the heating elements. The ventilation hole(s) at the top of the furnace must remain open during this hour. After emptying wax from tray, replace the flasks with the sprue hole up, or use our WWR13 or WWT18 Grate & Tray, then leave sprue hole down.

After burnout is complete, casting can be done. Once casting is complete, turn off furnace by pressing STOP button. If you have not completed casting by the end of the final holding time, the programmer will turn off.

PROGRAMMING A DELAY FIRING [dELA]

Regardless of the program that you run (either built-in or custom), you can insert a delay period before the firing profile begins. This will allow you schedule the start of the program such that you can cast upon your arrival. The only requirement is to have eliminated the wax either by the furnace with PROGRAM NO. 1 or by Steam Wax Elimination.

Upon entering the desired program you are going to run (either permanent or custom) and you reach the final step of displaying [IdLE], press DELAY START (3). The display will alternately show [dELA] and [00.00]. At this time you enter the amount of delay time you wish before the furnace begins the burnout cycle (EXAMPLE: You program at 4:00 P.M. and you want a 5 hour burnout (PROGRAM NO. 2) and you wish to cast at 8:00 A.M. -The delay entered is 11 hours [11.00] -This starts the furnace at 3:00 A.M. and you are ready to cast at 8:00 A.M.). You can enter a delay start time up to 99 hours.

After entering your delay start time press ENTER twice. After doing so, you can see the timer in operation and counting down until the delay time entered has expired and the furnace begins the selected burnout program.

ENTERING A CUSTOM PROGRAM

REMEMBER –ALL PROGRAMMING BEGINS WITH [IDLE] ON THE DISPLAY

Putting a program into your controller is the easiest way to understand its function.

Lets us begin with an 8 hour program. We use a slow steady rise in temperature to a maximum of 1350 °F (730 °C) in all programs (this is suggested by most investment manufacturers); then reduce the furnace temperature down to a casting temperature slowly.

Since we only have 8 hours, we will use smaller diameter flasks. We will program in 3 segments. You can program up to 20 segments if necessary.

SEGMENT 1 We will heat the furnace at a rate of 1250°F (680°C) per hour to a temperature of 300 °F (150°C) and hold for 1 hour (this is our wax elimination cycle) –NOTE: OPERATOR ATTENDANCE IS REQUIRED.

SEGMENT 2 We will then raise the furnace temperature to 1350°F (730 °C) at a rate of 280 °F (136 °C) per hour (requires approximately 4 hours) and then hold at 1350°F for 2 hours.

SEGMENT 3 We will then lower the furnace temperature to 900°F (480 °C) for our casting temperature. We will program a 14 hour hold time for this temperature in case the operator is not ready to cast at the end of the 8 hour period.

NOTE: YOU CAN PROGRAM ANY FLASK CASTING TEMPERATURE YOU WISH. WE FIND THAT 900 °F IS A GOOD TEMPERATURE FOR CASTING 14KYELLOW GOLD IN MOST INSTANCES.

DELAY START: You can also delay the start of the program if you wish (see instructions following).

PROGRAMMING

- 1) Press keys slowly and firmly.
- 2) Before starting to program your controller, make sure all electrical connections are made.
- 3) At this time you must decide if you are going to program in °F or °C. Make sure controller is in the correct mode.
- 4) You can program any schedule you wish as long as it is in 20 segments or less and not over 99 hours in length.
- 5) The maximum temperature of the controller is 1700°F (925 °C).
- 6) You can add a DELAY TIME on any program from 1 minute(00.01) to 99hours and 99minutes (99.99).
- 7) You can set the alarm on any program at any time by pressing 7 (ALARM) and [ALAr] will appear on the display. Enter the new temperature and then press ENTER. [IDLE] will display or your program will continue the burnout in progress.

8) REMEMBER – The furnace must be attended for the first hour so that the wax tray can be removed (the use of a Steam Wax Eliminator will eliminate this). NOTE: FOR SAFETY REASONS – AN OPERATOR SHOULD BE IN ATTENDANCE AT ALL TIME.

9) All times are entered as follows:

For 30 minutes	Press 30	Display shows 00.30
For 1 hr. 15 min.	Press 115	Display shows 01.15
For 2 hr. 45 min.	Press 245	Display shows 02.45

* It is not necessary to put in the decimal.

Your WW Computerized Programmer uses a RAMP/HOLD method of programming. It can handle as many as 20 segments of time and temperature. Each segment raises or lowers the temperature and holds it for the length of time you specify. Most burnout programs use only 3 segments, but you have the capability of programming 20 segments.

Each segment is controlled by:

- A) HEATING RATE [rA]
- B) TEMPERATURE [°F] or [°C]
- C) TIME [HD]

In other words, furnace temperature can be brought up from ambient to 300 °F in 15 minutes or over a period of several hours. This is governed by the RATE [rA].

To figure the HEATING RATE, 3 variables must be considered:

- 1) The ending temperature desired.
- 2) The starting temperature.
- 3) The length of time that this rate should take.

For example: If we want to heat a 300 °F furnace to 1350 °F over a 6 hour period, we would calculate as follows:

```

ENDING TEMPERATURE (°F).. ..... 1350
STARTING TEMPERATURE (°F) ..... -300
DIFFERENCE (°F)..... ..... 1050

DIVIDE THE TEMPERATURE DIFFERENCE.....1050  1050  1050
BY THE NUMBER OF HOURS. .... 6      5      3
TO GET DEGREES PER HOUR..... ..... .175210  350
  
```

We have illustrated above how to figure the rate for 5 hours and for 3 hours. Of course, to decrease the temperature, we would simply subtract the ending temperature from the starting temperature (in other words –reverse the procedure). Also, a decreasing rate is limited by how long it takes for a heated mass to cool when the heating elements are turned off (in other words, the larger the flask, the longer it takes to cool).

PROGRAMMING YOUR WW PROGRAMMER

You can enter your preferred burnout cycle at any time to suit your operation. You can even add four more "Permanent Programs". To make your own program remember "ALL PROGRAMMING BEGINS WITH [IdLE } ON THE DISPLAY".

ACTION	DISPLAY	COMMENTS
1) Apply Power	[IdLE]	All programming begins with [IdLE]
2) Press 4	[USEr]	Path to the USEr program
3) Press 1	[1]	This assigns your custom program a number (use 1 thru 4)
4) Press ENTER	[rA 1]	The programmer is asking for the 1st segment rate of temperature increase or decrease
5) Press 1250	[1250]	1250°F per hour
6) Press ENTER	[°F 1]	The programmer is asking for the temperature you want to reach in the 1st segment
7) Press 300	[0300]	This is the temperature for wax elimination (300°F)
8) Press ENTER	[Hd 1]	The programmer is asking how long you want to hold 300°F
9) Press 100	[01.00]	One hour at 300°F
10) Press ENTER	[rA 2]	The programmer is asking for the 2nd segment rate of temperature increase or decrease
11) Press 280	[0280]	280°F per hour
12) Press ENTER	[°F 2]	The programmer is asking for the temperature you want to reach in the 2nd segment
13) Press 1350	[1350]	This is the temperature for the second burnout (1350°F)
14) Press ENTER	[Hd 2]	The programmer is asking for how long you want to hold 1350°F
15) Press 200	[02.00]	Two hours at 1350°F
16) Press ENTER	[rA 3]	The programmer is asking for the 3rd segment rate of temperature increase or decrease
17) Press 450	[0450]	450°F per hour (cooling down)
18) Press ENTER	[°F 3]	The programmer is asking for what temperature you want to reach in the 3rd segment
19) Press 900	[0900]	This is the temperature for the final burnout (casting temperature)
20) Press ENTER	[Hd 3]	The programmer is asking how long you want to hold 900°F
21) Press 1400	[14.00]	Fourteen hours at 900°F
22) Press ENTER	[rA 4]	The programmer is asking for the 4th segment rate of temperature increase or decrease
23) Press 0	[0000]	0°F per hour indicates end of program
24) Press ENTER	[IdLE]	
25) Press 7	[ALAr]	This is the alarm temperature request
26) Press 9999	[9999]	This sets the alarm out of range (turns it off)
27) Press ENTER	[IdLE]	If you wish you may enter a delay start at this time
28) Press ENTER	[STRT]	If no delay time, then the temperature inside the furnace.

You are now cooking!

NOTE: Should you have any difficulty entering a custom program, call us and give us the rates and times. We will supply step by step instructions.

HOLD (SOAK) TIME

“HOLD” or “SOAK” time means heat-soaking the flasks at the end of each segment. You can hold the temperature in each segment up to 99 hours and 99 minutes.

PRESENT STATUS

“PRESENT STATUS” shows where the furnace is during firing. This is specially useful for firing that have heating-up and cooling-down segments. To use “PRESENT STATUS”, press 5 on the key board during a firing. The current segment will display momentarily.

SKIP SEGMENT

“SKIP SEGMENT” works only during firing. To skip a segment, press 9 on the key board. [SstP] will display (if you change your mind and do not want to skip the segment, do nothing and the firing will continue as it was). If you still want to skip the segment after pressing 9, press ENTER and [rA] will appear along with the segment number you just skipped to.

DELAY FIRE

The “DELAY FIRE” programs the furnace to start its firing run (burnout) at a later time. It zeroes out after each completed firing. To use the “DELAY FIRE” again, you need to reset it each time you start. Enter the “DELAY FIRE” after you have chosen your program and you reach [IdLE] on the display. Press 3 on your key board. Enter the delay in hours and minutes (such as 3 hours and 45 minutes is 345 – your display will show [03.45]) and the press ENTER. The display will then alternately display [dELA] and the time remaining for the delay.

WARNING: NEVER LEAVE YOUR FURNACE UNATTENDED NEAR THE END OF A FIRING. WE CANNOT GUARANTEE YOUR FURNACE AGAINST OVERFIRING EVEN THOUGH THE CONTROLLER IS AUTOMATIC. THE OPERATOR ASSUMES FULL RESPONSIBILITY FOR TURNING THE FURNACE OFF AT THE PROPER TIME.

REPEAT FIRINGS & PROGRAM REVIEW

To repeat last firing, just press ENTER from [IdLE]. The furnace will begin firing, but first, use your PROGRAM REVIEW to make sure you are using the correct program. To start PROGRAM REVIEW press 6 on the key board. Values for the last program used will be displayed one after another. You can also use PROGRAM REVIEW during firing simply by pressing 6 on the key board.

SETTING THE ALARM BEFORE FIRING BEGINS

The alarm beeps when a preset temperature is reached.

- 1) At any time, press 7 on the key board. [AlAr] will appear alternating with the last alarm temperature entered.
- 2) Enter the new alarm temperature. Then press ENTER. [IdLE] will appear or the current running profile will continue.
- 3) To turn alarm off enter 9999.

When the alarm sounds during firing, shut it off by pressing any key. If it sounds as soon as the furnace begins firing it is due to the fact that the alarm was set to 0000.

SETTING THE ALARM DURING FIRING

After you shut off the alarm during firing, you can set it to go off again later at either a higher temperature or a cool-down temperature.

- 1) While the furnace is firing, press 7 on the key board.
- 2) Enter the new temperature.
- 3) Press ENTER and the furnace will continue firing.

POWER FAILURES

After a brief power failure during firing, [PF] will display, alternating with the temperature. Even though it displays [PF], the furnace will continue to fire normally. The display shows [PF] simply to notify you of a brief power failure. Press any key except STOP and normal temperature display will return.

[ErrP] appears after an extended power failure. In addition, after an extended power failure the controller will sound a steady alarm.

When [ErrP] appears on the display, press ENTER. The hours fired and furnace temperature reached at the time of the power failure will be displayed. Then [IdLE] will display.

See the "TROUBLE-SHOOTING" section of your instructions for causes.

STEAM WAX ELIMINATION

We highly recommend that STEAM WAX ELIMINATION be used prior to a burnout in your furnace. This will remove 90% of all waxes that melt at 200°F or less and eliminates several things. First, it eliminates carbon build-up on the elements of your furnace, giving it a longer life. Second, it eliminates noxious fumes and odors, especially from closed-in areas. There are 3 sizes of Steam Wax Eliminators available. Ask your dealer for more information.